



High On **Compactness,**
Higher on functionality



Nx2000

Single Phase 230V (0.2 - 2.2kW)

Model & Specifications

Nx2000

The best way to save money & time

- Built-in EMC Filter
- New UL61800-5-1 Design
- Built-in DB Unit : $\geq 1.5\text{kW}$
- Built-in Modbus Communication
- User - Friendly Design
 - DIN - rail mountable
 - Side-by-side installation
 - Easy connection with Rj45 port
 - Modbus / Smart Copier / Remote keypad / DriveConnect



Built-in EMC Filter



Side-by-Side Installation
(2mm between drives)



DIN-rail Mountable

Model and Type

LTVF	N	1	00P0	B	A	A
E&A Variable Frequency Drive	Nx2000 Series	1 : 1 ϕ 200~240V	Heavy Duty Amp 01P4 : 1.4 Amp	B : IP20	With Built-in keypad	Reserved

Specification

Model LTVF - N1□□□□BAA		01P4	02P4	04P2	07P5	10P0	
Applied motor	Heavy load	HP	0.25	0.5	1.0	2.0	3.0
		kW	0.2	0.4	0.75	1.5	2.2
Rated output	Rated capacity (kVA)		0.6	0.95	1.9	3.0	4.5
	Rated current (A)		1.4	2.4	4.2	7.5	10.0
	Output frequency		0~400Hz				
	Output voltage (V)		3-phase 200~240V				
Rated input	Working voltage (V)		Single phase 200~240Vac (-15%~+10%)				
	Input frequency		50~60Hz($\pm 5\%$)				
	Rated current (A)		1.8	3.7	7.1	13.6	18.7
Weight (kg)		0.66	1.0		1.45		

Control

Control Method	V/F , Slip Compensation
Frequency Setting Resolution	Digital command : 0.01Hz Analog command : 0.05 Hz
Frequency Accuracy	1% of maximum output frequency
V/F Pattern	Linear, Square reduction, User V/F
Overload Capacity	150% for 1 min
Torque Boost	Manual / Automatic torque boost

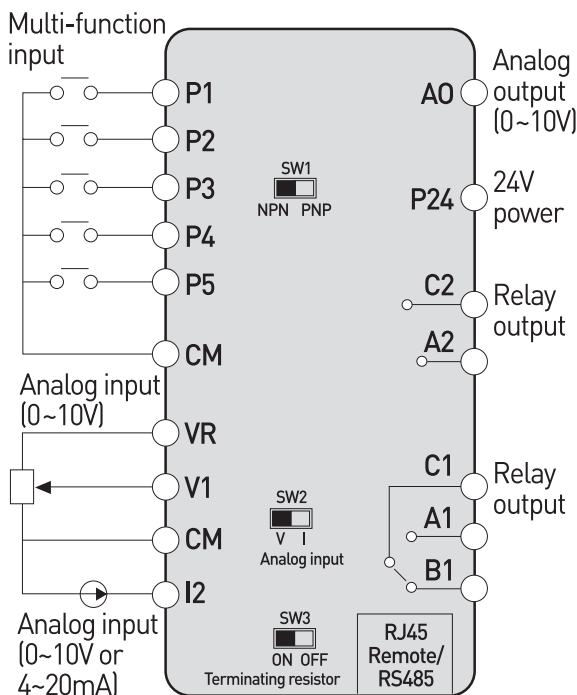
Operation

Operation Mode		Select keypad, Terminal strip or Communication operation	
Frequency Setting		Analog : 0~10 [V], 4~20 [mA], 0~20 [mA] Digital : Keypad	
Operation Function		Anti-forward and reverse direction rotation, Frequency jump, Frequency limit, DC braking, Jog operation, Up-down operation, 3-wire operation, Dwell operation, Slip compensation, PID control, Energy saving operation, Speed search, Automatic restart	
Input	Multi-Function Terminal	NPN (Sink) / PNP (Source) selectable Function: Forward run, Reverse run, Reset, Emergency stop, Multi-step speed frequency-high/ med/low, DC braking during stop, Frequency increase, 3-wire, Select acc/dec/stop, Reverse direction operation, External trip, Jog operation, Multi-step acc/dec-high/med/low, Second motor selection, Frequency reduction, Fix analog command frequency, Transition from PID to general operation	
	Analog Input	V1: 0~10V, I2: 4~20mA or 0~20mA	
Output	Multi-function relay terminal	Fault output and inverter operation status output	(N.O., N.C.) less than AC 250V 1A, less than DC 30V 1A
	Analog output	0-10 Vdc: Frequency, Output current, Output voltage, DC terminal voltage etc. selectable	

Environment

Ambient Temperature	-10~50°C (14~122°F), Ambient temperature under the condition of no ice or frost
Ambient Humidity	Relative humidity upto 95% RH (No condensation forming)
Storage Temperature	-20~65°C(-4~149°F)
Surrounding Environment	Prevent contact with corrosive gases, inflammable gases, oil stains, dust and other pollutants (Pollution degree 2 environment)
Altitude / Oscillation	Below 1,000m, below 9.8m / sec ² (1G)
Pressure	70~106 kPa

I/O Configuration



Dimensions

CAT No.	W	H	D
LTVF-N101P4BAA	85 (3.34)	135 (5.31)	100 (3.94)
LTVF-N102P4BAA		153 (6.02)	123 (4.84)
LTVF-N104P2BAA	100 (3.94)	180 (7.08)	140 (5.51)
LTVF-N107P5BAA			
LTVF-N110P0BAA			

Units: mm (inches)

Braking Resistor Specification

Product (kW) HD	Resistance (Ω)	Rated Capacity (W)
1.5	60	300
2.2	50	400

* The standard for braking torque is 150% and the working rate (%ED) is 5%. If the working rate is 10%, the rated capacity for braking resistance must be calculated at twice the standard

Compatible MCB & Magnetic Contactor of L&T Electrical & Automation

Inverter Capacity (kW) HD	Circuit Breaker		Magnetic Contactor		
	Model	Rating [A]	Model	Rating [A]	
Single phase 200V	0.2kW	AU	6	MNX	9
	0.4kW	AU	6	MNX	9
	0.8kW	AU	10	MNX	9
	1.5kW	AU	20	MNX	18
	2.2kW	AU	25	MNX	22

Fuse and Reactor Specifications

Inverter capacity (KW) HD	AC Input Fuse		AC Reactor		
	Current [A]	Voltage[V]	Inductance[mH]	Current [A]	
Single phase 200V	0.2kW	5	600	4.2	3.5
	0.4/0.8kW	10		1.2	10
	1.5kW	15		0.88	14
	2.2kW	20		0.56	20

Product improvement is a continuous process. For the latest information and special application, please contact any of our offices listed here. Product photographs shown for representative purpose only.



L&T Electrical & Automation, Electrical Standard Products

L&T Business Park, TC-2, Tower B, 3rd Floor, Gate No. 5, Saki Vihar Road, Powai, Mumbai - 400 072, INDIA www.Lntebg.com

Customer Interaction Center (CIC)

BSNL / MTNL (toll-free): 1800 233 5858 Reliance (toll-free): 1800 200 5858
Tel: 022 6774 5858 Email: cic@Lntebg.com Web: www.Lntebg.com